

NG

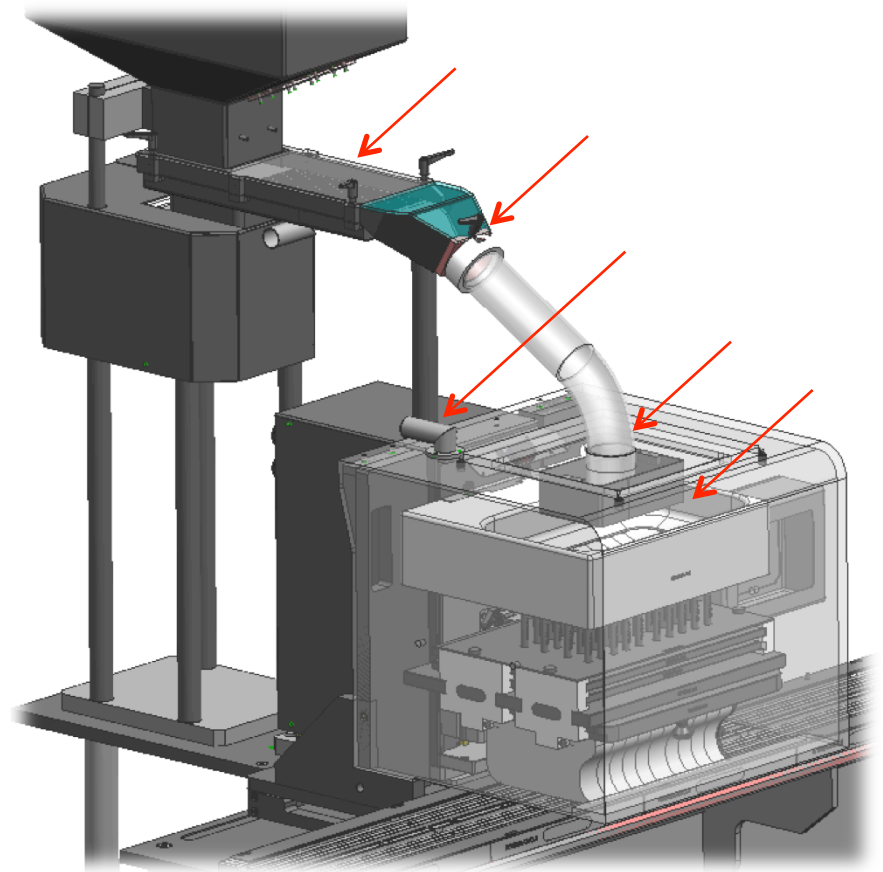
Linear Vibratory Feeder

The new unit contains;

- Product from the bulk hopper
- Through NG change parts
- Into the web

The new design;

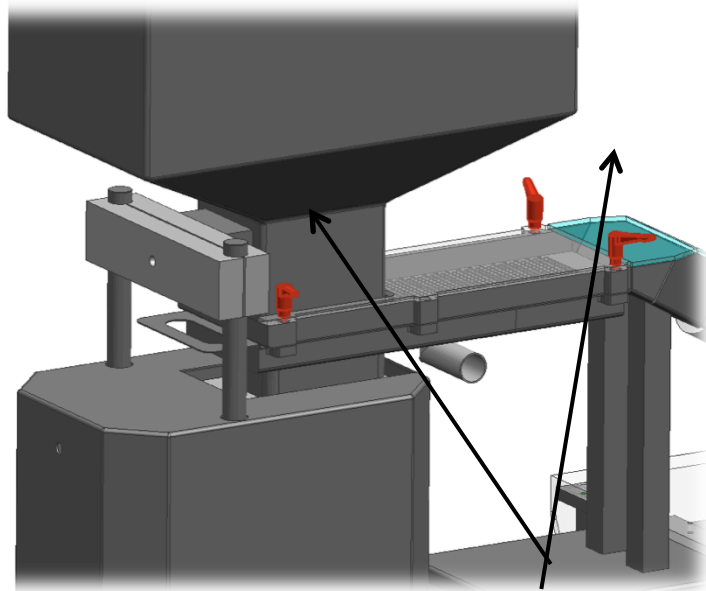
- Speeds up tooling changeovers
- Improves Dust Extraction options



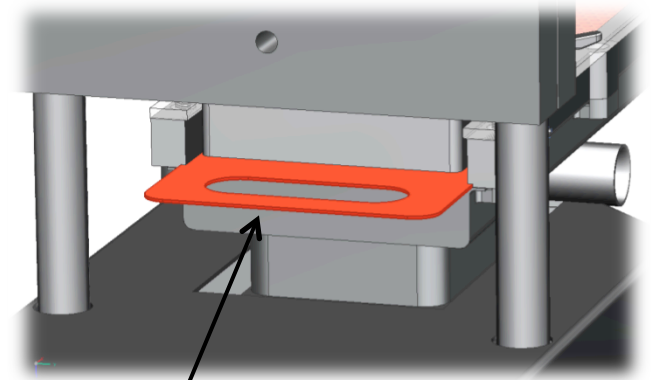
New Sieve Plate Design

New design allows;

- The sieve plate to be easily removed
- Without removing the screws in the cover plate



Loosen 2 handles on each side to remove sieve plate



New sieve plate Design

Spring plunger Locators

